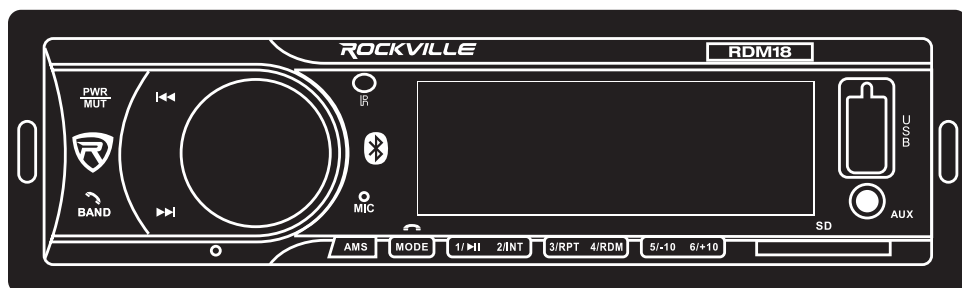


ROCKVILLE



RDM18

SINGLE DIN BLUETOOTH/USB/SD AM/FM RECEIVER
USER'S MANUAL

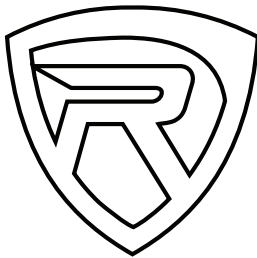


ROCKVILLE

Thank you for purchasing this Rockville Single Din Bluetooth AM/FM Receiver. We are very proud to bring you what we consider to be the absolute best value in car audio products. This project has been a culmination of years of development involving a team of dreamers, engineers, designers and marketing gurus. Proudly conceived and developed in the USA, Rockville car audio products are designed and engineered by a team of car audio enthusiasts.

We have spared no expense in manufacturing these Single Din Bluetooth AM/FM Receivers to meet the highest quality standards. With proper care and installation these units will provide you with the highest levels quality. We hope that these units will bring you years of performance and reliability.

Please read this installation guide carefully for proper use of your Rockville Single Din Bluetooth AM/FM Receiver. Should you need technical assistance please call our technical help line at 1-646-758-0144, Monday through Friday, 9am to 5pm EST.



ROCKVILLE

TABLE OF CONTENTS

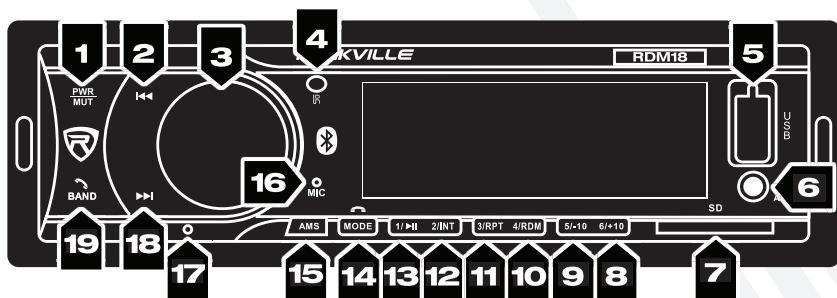
FEATURES	2
RECEIVER CONTROLS	3
RECEIVER FUNCTIONS	4 - 5
BLUETOOTH PAIRING	5
REMOTE CONTROL FUNCTIONS	5 - 6
INSTALLATION	7
WIRING	8
MAINTENANCE	9
INSTALLATION NOTES	9

FEATURES

- Single DIN AM/FM Receiver
- Super Bright LCD Display
- SD Card Reader, Supports Double High Speed SDHC (32G) Card
- USB 2.0 Input
- Front 3.5mm Auxiliary-in Port
- Electronic PLL Tuning Control
- FM/AM Receiver w/ 18 FM/12 AM Preset Station Capability
- Auto Memory Store/Preset Scan
- Automatic Music Search
- Repeat/Random/Intro Play Functions
- Preset and Custom EQ (Jazz/Pop/Rock/Classic/Loud/User)
- Mute/Loudness/Clock Function
- Power Output: 4 x 18W RMS / 4 x 45W Peak
- 4 Channel RCA Output
- Pre-Amp Line-Out
- Bluetooth Capability for Hands-Free Calling and Streaming Music
- Built-in High Sensitivity BT Microphone
- Full Function Remote Control Included

RECEIVER CONTROLS

1. Power On-Off / Mute
2. Track Skip / Search Backwards / Browse Radio Stations
3. Volume / Select Knob
4. IR Receiver
5. USB Port
6. Aux-In Port
7. SD Card Slot
8. Preset 6 / Skip Ahead 10 / Lists and Menus in SD/USB Mode
9. Preset 5 / Go Back 10 / Lists and Menus in SD/USB Mode
10. Preset 4 / Random Play
11. Preset 3 / Repeat
12. Preset 2 / Track Intro
13. Preset 1 / Play / Pause
14. Mode / End Call
15. Automatic Music Search
16. Microphone
17. Reset Button
18. Track Skip / Search Forward / Browse Radio Stations
19. Band Select / Answer Call



RECEIVER FUNCTIONS

- **Power ON-OFF / Mute Button:** Press quickly to turn the unit on. Press for 3 seconds to turn the unit off. Press to mute the unit.
- **Mode Button:** Press to cycle through playback modes in the following order: RADIO -- USB -- SD -- AUX -- BLUETOOTH. In Bluetooth mode, press to end calls.
- **AMS (Automatic Music Search) Button:** In radio mode press to seek radio stations automatically. Press and hold to save desired station. In USB/SD mode pressing the AMS button will select the current song.
- **Band Button:** In Radio mode press to cycle through bands in the following order: FM1 -- FM2 -- FM3 -- AM1 -- AM2. In Bluetooth mode press to answer calls.
- **◀◀ / ▶▶ Buttons:** In USB/SD mode press to return to a previous track or skip to the next track. In radio mode press to move backwards or forwards through stations.
- **1 / ▶▶ Button:** In radio mode press to go to preset 1. In USB/SD mode press to play / pause music.
- **2 / Int (Intro) Button:** In radio mode press to go to preset 2. In USB/SD mode press to play s snippet of each track. Press again to listen to full track. When in intro mode INT will be displayed on the screen.
- **3 / Repeat Button:** In radio mode press to go to preset 3. In USB/SD mode pressing this key will repeat the current track continuously. Press the button again to exit repeat mode. When in repeat mode RPT will be displayed on the screen.
- **4 / Random Button:** In radio mode press to go to preset 4. In USB/SD mode press this button to activate random playback mode. Press again to deactivate random mode. While in random mode RDM will be displayed on the screen.
- **5 / -10 Button:** In radio mode press to go to preset 5. In USB/SD mode press to choose next folder.
- **6 / +10 Button:** In radio mode press to go to preset 6. In USB/SD mode press to choose previous folder.
- **SD Card Slot:** Insert SD card into slot and use mode button to cycle to SD mode. Audio playback will begin automatically. Supported file formats: MP3/WMA.
- **USB Port:** Connect USB flash drive and use mode button to cycle to USB mode. Audio playback will begin automatically. Supported file formats: MP3/WMA.
- **Auxiliary In Port:** Connect your external device (phone/mp3 player) via a 3.5mm to 3.5mm cable (not included).
- **Display Screen:** The LCD screen will display relevant information about the current function.
- **Volume / Select Knob:** Rotating the knob clockwise will increase the volume. Turning it counter clockwise will reduce the volume. Press the mode button and use

RECEIVER FUNCTIONS

knob to scroll through functions. Press down to select the desired function. Pressing down on the button will also allow you to adjust BASS, TREBLE, BALANCE, FADER, LOUD, and EQ settings.

- **Reset Button:** Press this button to restore the unit to factory settings.

BLUETOOTH PARING

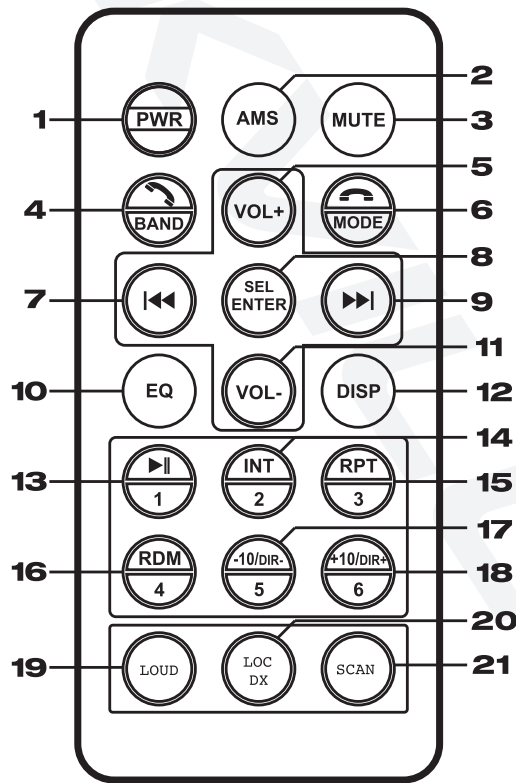
- Ensure that Bluetooth is enabled on your device.
- In the list of available Bluetooth connections, select "ROCKVILLE".
- Your device should connect automatically.
- Some devices may require a password. If prompted, the password is 0000
- Please note only one phone can be paired to the unit at once. To pair another phone, please disconnect first unit.

REMOTE CONTROL FUNCTIONS

1. Power
2. AMS (Automatic Music Search)
3. Mute
4. Band / Answer Calls
5. Increase Volume
6. Mode / End Calls
7. Previous Track / Browse Radio Stations
8. Select / Enter
9. Next Track / Browse Radio Stations
10. EQ Control
11. Decrease Volume

REMOTE CONTROL FUNCTIONS

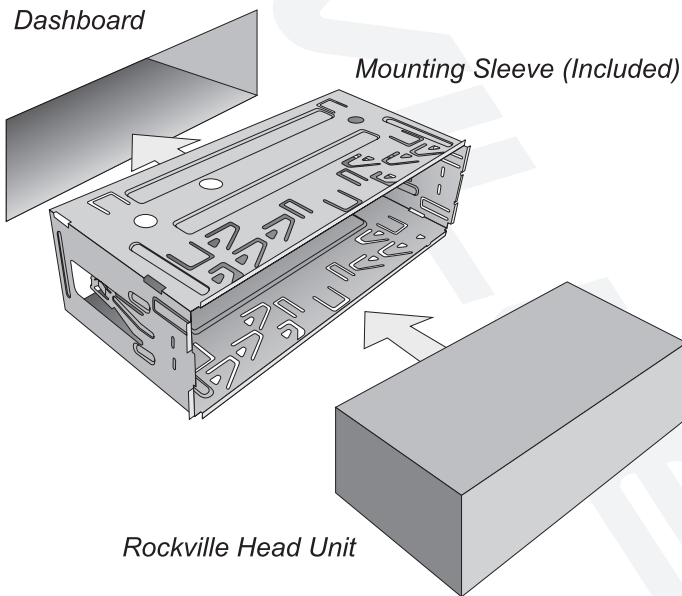
- 12. Clock Display
- 13. Preset 1 / Play/Pause
- 14. Preset 2 / Intro
- 15. Preset 3 / Repeat
- 16. Preset 4 / Random
- 17. Preset 5 / Select Next Folder
- 18. Preset 6 / Select Previous Folder
- 19. Loudness ON-OFF
- 20. LOC/DX
- 21. Scan Radio Stations



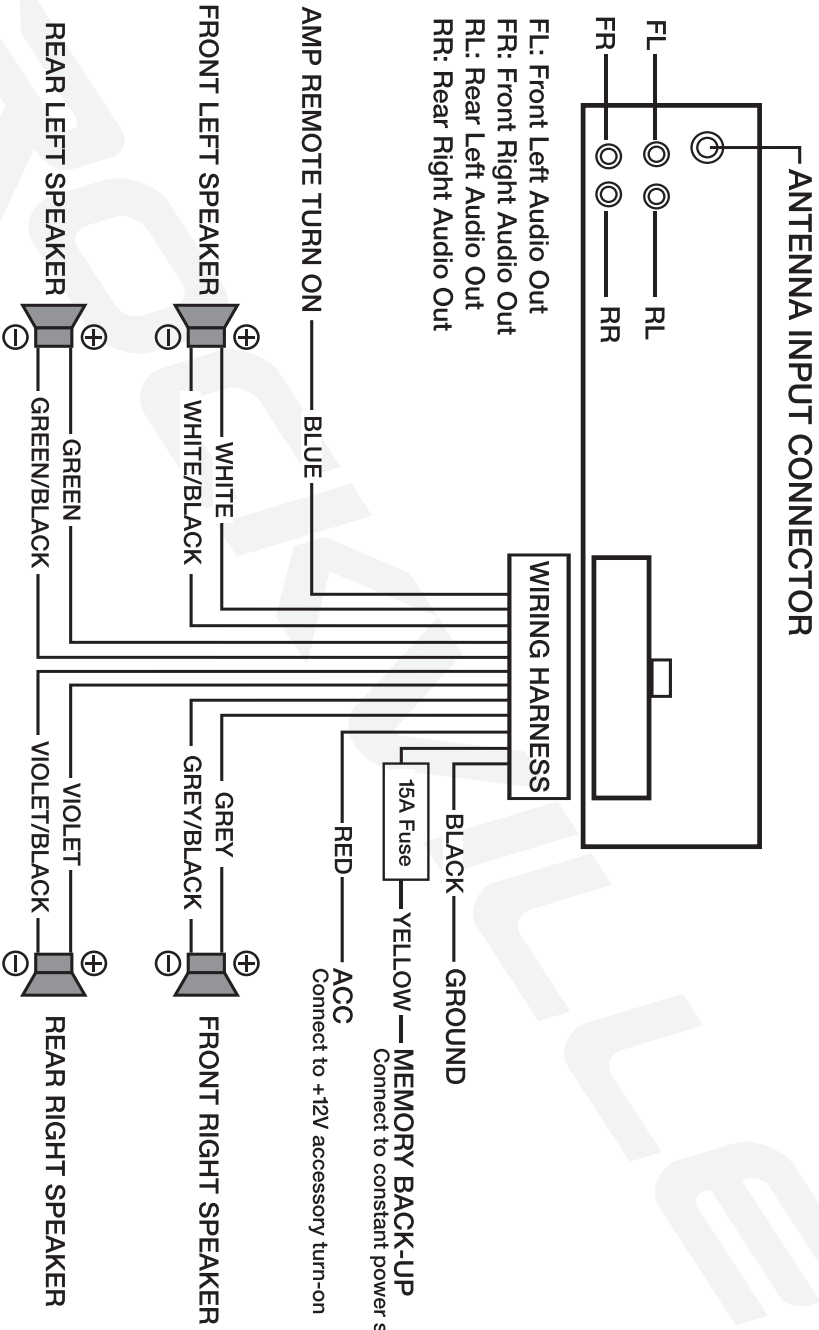
INSTALLATION

- Carefully remove the unit from the box. Keep the box for warranty and service purposes.
- Choose the mounting location carefully so that the unit will not interfere with normal driving functions.
- Avoid installing the unit where it will be subject to high temperatures from direct sunlight / heater vents, where it would be subject to dust, dirt, or excessive vibration.
- If you have to do any modifications to the car body, such as drilling holes, consult your vehicle manual before doing so.
- To ensure a safe and secure installation we recommend you only use the included mounting hardware.
- Place the universal mounting bracket into the instrument panel.
- Use a screwdriver to bend mounting bracket stoppers if necessary.
- Insert the head unit into the universal mounting bracket until it locks.
- Securely fasten the trim plate.

It is recommended that you contact a professional to install the unit if you feel unsure or incapable of doing it yourself.



WIRING DIAGRAM



MAINTENANCE

FUSE REPLACEMENT: If the fuse blows, check the power connection and replace the fuse. If the fuse blows again, there may be an internal malfunction. In this case consult your local installer or call our technical help line at 1-646-758-0144, Monday through Friday, 9am to 5pm EST.

INSTALLATION NOTES

Visit us at:

RockvilleAudio.com

Due to constant improvements, these specifications are subject to
change without notice.

Copyright 2016