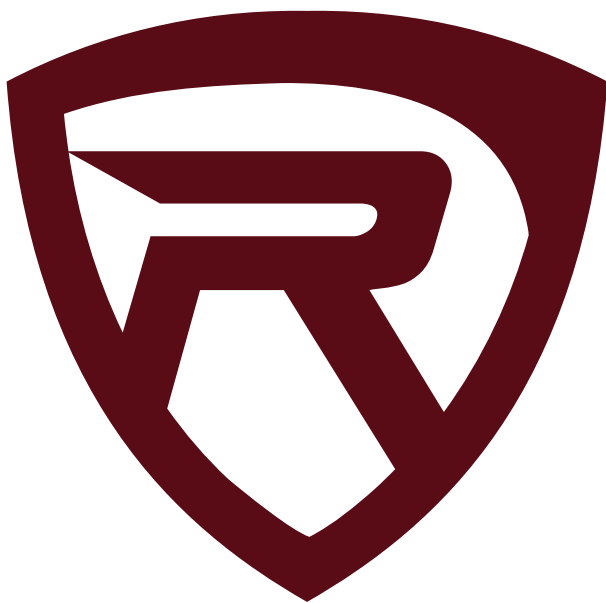


ROCKVILLE



RVD14BGB

14" FLIP DOWN ROOF MOUNT HIGH RESOLUTION DVD LCD MONITOR

OWNER'S MANUAL

Thank you for purchasing this Rockville Flip Down Roof Mounted High Resolution Digital Monitor with DVD Player and Multimedia input.

We are very proud to bring you what we consider to be the absolute best value in mobile audio products. This project has been a culmination of years of development involving a team of dreamers, engineers, designers and marketing gurus. Proudly conceived and developed in the USA, Rockville mobile audio products are designed and engineered by a team of car audio enthusiasts.

We have spared no expense in manufacturing RVD-BGB series Flip Down Monitors to meet the highest quality standards. With proper care and installation this unit will provide you with the highest levels of sound quality. We hope that this unit will bring you years of performance and reliability.

Please read this installation guide carefully for proper use of your Rockville Flip Down Roof Mounted High Resolution Digital Monitor with DVD player and multi media input. Should you need technical assistance during or after your installation please call our technical help line at 1-646-758-0144, Monday through Friday, 9am to 5pm EST.

Contents

Resetting Unit 3

Powering Unit 4

User Interface 4

Control Panel 5

Remote Control Functions 6-7

DVD/USB/SD..... 8

Advanced Functions 8-9

Interchangeable Covers 10-11

Installation 12

Wiring 13

Troubleshooting 14

Precautions

- To minimize the risk of improper installation Rockville recommends that the installation of this product be performed by an MECP-Certified professional installer.
- Improper installation may cause damage to the vehicle or injury to the driver and occupants.
- Installation must be performed in accordance with this product installation manual. Rockville is not responsible for damage or injuries resulting from installation not performed strictly in accordance with the procedures described in this manual.
- Proper installation of this product may require the use of mounting hardware not included.
- Use only new, unused and properly-sized fasteners to install this product. Do not use previously installed or worn fasteners.
- No modifications to the product or mounting hardware are permitted.
- This product is designed to be used and viewed by rear seat passengers only. The monitor screen must not be visible to the driver. Viewing by the driver while operating the vehicle is not recommended.
- Rockville does not recommend connecting wires or cables to auxillary connectors while the vehicle is in motion.
- This product must not obstruct the driver's rear view when installed or used.
- Rockville bears no liability for any property damage or personal injury that may result from improper or unintended installation or use of this product.

Resetting the Unit

- Turn the engine key to the "OFF" position
- Unplug the wire harness for five seconds. This will engage a full reset.
- Re-plug the harness.
- Turn the engine key to the "ACC" or "ON" position
- Press and hold the power button for 3 seconds
- The unit will turn on.
- If this procedure does not resolve your issue, please contact customer service for further assistance.

Powering the Unit

- Turn the engine key to the “ACC” or “ON” position
- Press and hold the power button for 3 seconds
- The unit will turn on.
- When the engine key is turned to the “OFF” position, the unit will turn off.

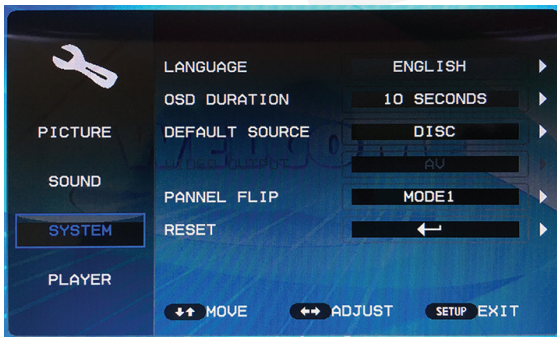
Tip: If the unit does not turn on, check to ensure all wires are connected properly. It is strongly suggested you seek out the help of a professional when installing.

Tip: Most functions can be accessed from the control panel, but more in-depth functions can only be performed with the remote.

User Interface

Unit Settings

- Adjust the unit settings for optimal playback.
- Selected items are highlighted by blue box.



Switch Media Devices

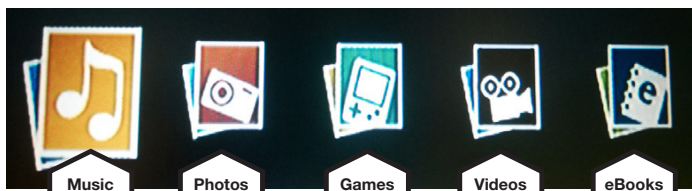
- Press and hold the USB/SD/MODE button (USB/SD button on remote) to switch between Disc, SD, and USB input.



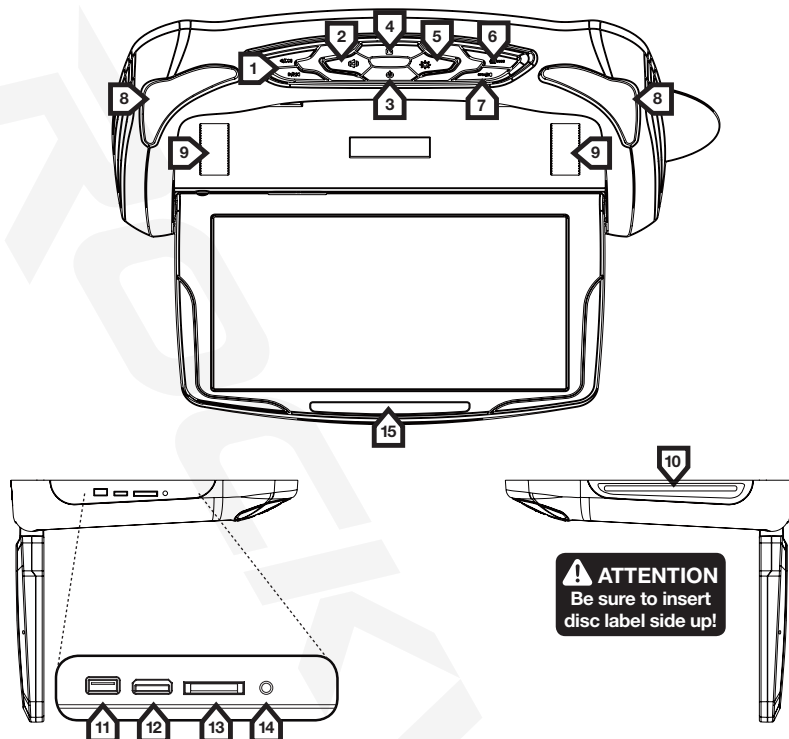
Tip: Refer to DVD and USB/SD sections for a list of playable media formats.

Media Files

- Press the Return button on the remote to browse the files stored in connected SD or USB device.



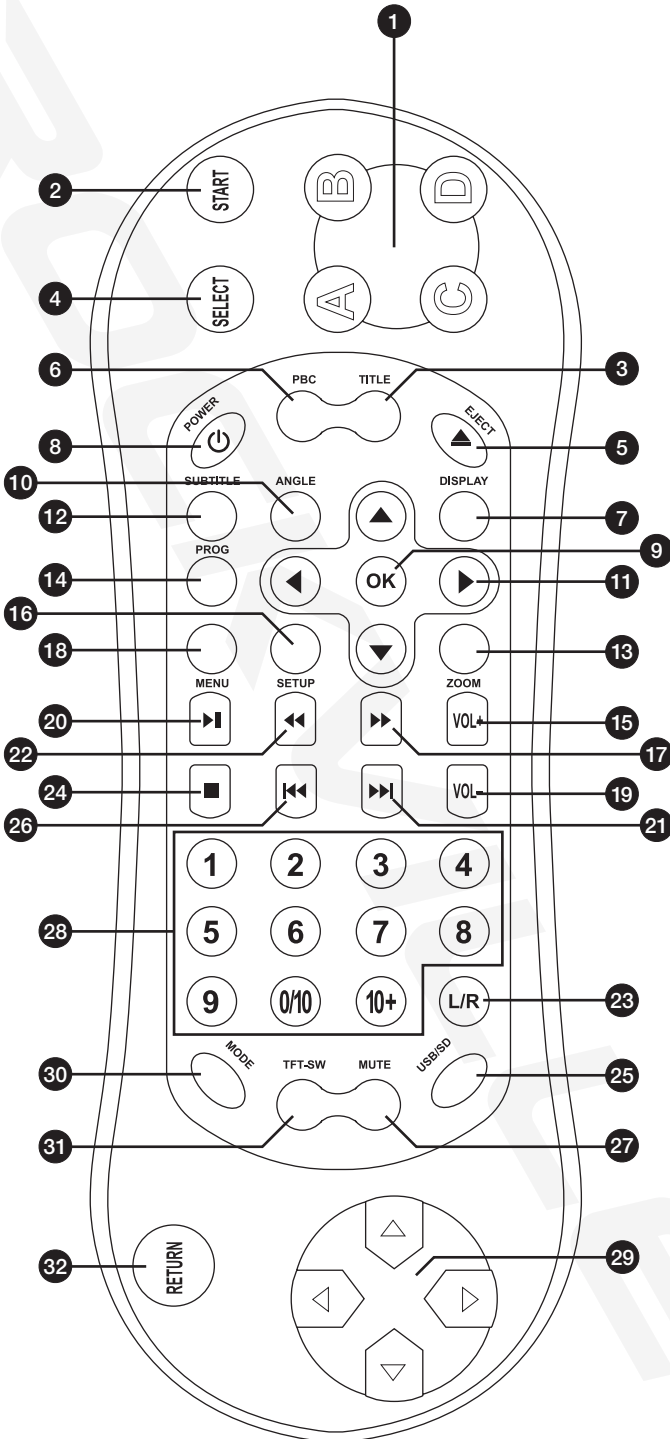
Control Panel



⚠ ATTENTION
Be sure to insert disc label side up!

1	Previous/Rewind Next/Fast Forward	Skip to previous chapter, song, picture, page, or video. Skip to next chapter, song, picture, page, or video.
2	Door Lamp	Turn door lamps ON/OFF.
3	Power ON/OFF	Press to turn-on the unit.
4	Menu	Acces and adjust unit settings. When in settings menu, press to return to main menu.
5	Overhead Light ON/OFF	Press to turn-on LED lights (item 9).
6	USB/SD/Mode	Press to access mode menu. Use Previous/Next buttons to scroll through menu options. Press the mode button to select desired input. Press and hold to access USB/SD/DISC quick-select menu.
7	Play/Pause/Open	Press once to Play media. Press again to pause. Press and hold to eject disc.
8	Overhead Light/Remote IR	Super bright overhead lights/Remote control IR sensor
9	Speakers	Built-In high quality speakers.
10	Disc Drive	Insert DVD or CD to access media content.
11	USB Input	Connect USB storage device.
12	HDMI Input	Connect HDMI output to the HDMI input of the unit via an HDMI cable.
13	SD Input	Playback audio or video files from SD card.
14	3.5mm Input	Connect MP3 player or other device via 3.5mm cable.
15	Wireless IR Receiver	Sensor for wireless IR headphones.

Remote Control Functions



Remote Control Functions

1	Game	Use letter keys to operate game functions.
2	Start	Start game.
3	Title	No function.
4	Select	Select game menu items.
5	Eject	Press to eject disc.
6	PBC Menu	Press button to open DVD menu.
7	Display	Displays disc information.
8	Power	Turn unit on and off.
9	Enter	Press to confirm settings.
10	Angle	Switch picture angle.
11	Cursors	Move cursor up, down, left, and right.
12	Subtitle	Switch subtitle languages.
13	Zoom	Zoom in or zoom out of picture on screen.
14	Program	Use this button to program unit.
15	Volume +	Press to increase volume.
16	Setup	Press to enter and exit setup menu.
17	FWD	Scan forward through pictures or audio.
18	Menu	Press button to open DVD menu.
19	Volume -	Press to decrease volume.
20	Play/Pause	Press once to play and pause content.
21	Next	Skip to next chapter, song, picture, page, or video.
22	RWD	Scan backwards through pictures or audio.
23	L/R	Toggle between left and right audio channels..
24	Stop	Press once to stop content.
25	USB/SD	Press to switch between USB and SD mode.
26	Previous	Skip to previous chapter, song, picture, page, or video.
27	Mute	Press to mute volume.
28	Number Pad	Use to input numbers.
29	Direction Pad	Use to control game and navigate game menus.
30	Mode	Press to access input mode menu.
31	TFT-SW	No Function
32	Return	While in USB/SD modes, this button will return you to the browse media files menu (see page 4).

DVD

Getting Started

- Insert the DVD, **label side up**, into the disc drive.
- Wait for the DVD to load.
- Unit will automatically begin playback. If disc was previously inserted, the unit will resume playing from where the DVD was stopped.

Control

- Play/pause and navigate through the DVD menu options using the designated buttons found on both the control panel and the remote.

Playable Discs

- DVD, DVD-R, DVD-RW, DVD+RW, DVD-9, CD, CD-R, CD-RW, VCD, MP3, MP4

USB/SD

Getting Started

- Insert USB device or SD card into the designated slots (see page 5 for slot location).
- Wait for the unit to load content.
- Browse files using the designated commands on the unit remote.

Playable Media Formats

- **AUDIO:** MP3, MP4, WMA
- **VIDEO:** MPEG4, AVI, WMV, VOB, DivX, MPG
- **PHOTOS:** JPG
- **BOOKS:** TXT

Tip: Video from a USB/SD is controlled the same way as DVD.

Player Password: 0000

Advanced Functions

Adjust Settings via Unit

- Press the MENU button on the unit to bring up the settings menu.
- Press STOP/POWER button to scroll through the settings options.
- Press the Next/FWD button to enter the desired menu.
- Use the STOP/POWER button to move through sub menus.
- Press the Previous/RWD or Next/FWD buttons to adjust sub-menus.
- Press the MENU button to return to settings options. Press again to exit menu mode.

Adjust Settings via Remote Control

- Press the SET UP button on the remote to bring up the settings menu.
- Scroll through the settings options by pressing the ▲ / ▼ buttons.

Advanced Functions

- Press ► button to enter sub menus. Press ▲ / ▼ buttons to scroll through sub menu options.
- Press ◀ / ▶ buttons to adjust settings.
- Press OK to confirm selection.
- Press the SET UP button to return to settings selection. Press again to exit menu mode.

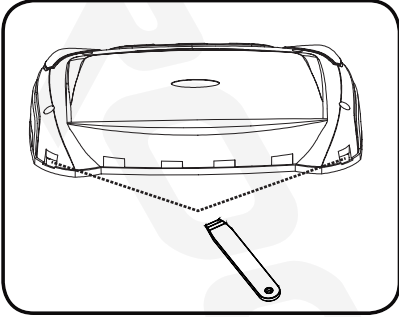
Game Mode

- Insert the game disc into the disc drive and wait for it to load.
- Once main menu is displayed, use the ▲ / ▼ / ◀ / ▶ keys on the remote control to navigate through games. Press ENTER on the remote.
- If using remote control to play game, use the ▲ / ▼ / ◀ / ▶ on the remote to control game play. Use the ENTER key to confirm function of item in game.
- Use the RETURN key to exit game.

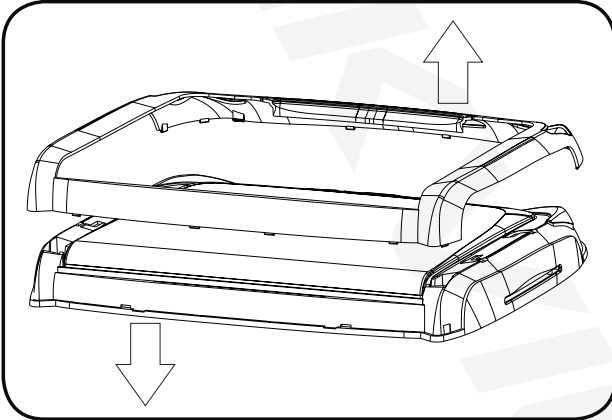
Interchangeable Covers

Chassis Cover

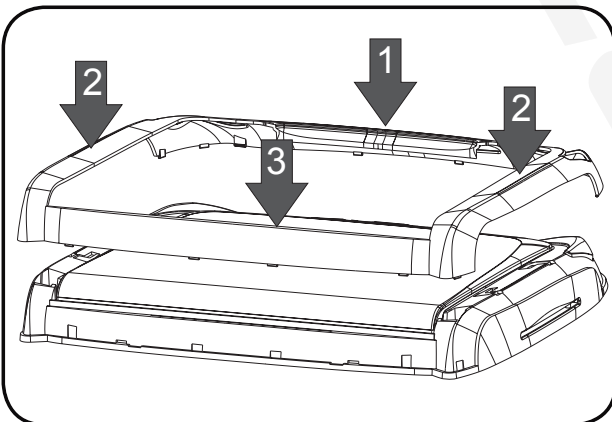
1. Remove the unit from vehicle roof and place on a flat surface. Remove the chassis cover using the included removal tool. Insert the tool into the slot found to the left and right of the AV outputs on the rear of the unit to release the cover.



2. Carefully pull the cover up and away from the chassis.



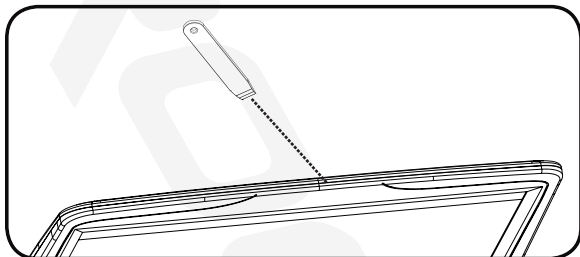
3. Attach the new cover to the chassis as shown in the diagram below. Be sure to secure the contact points in the order shown.



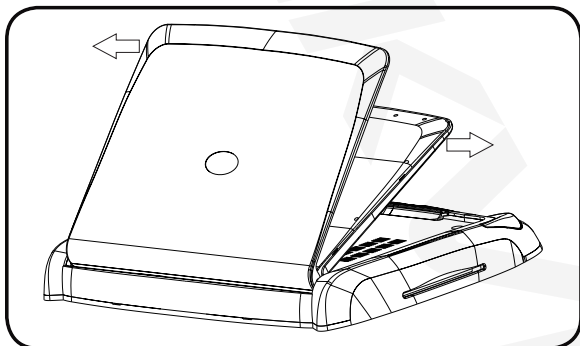
Interchangeable Covers

Screen Cover

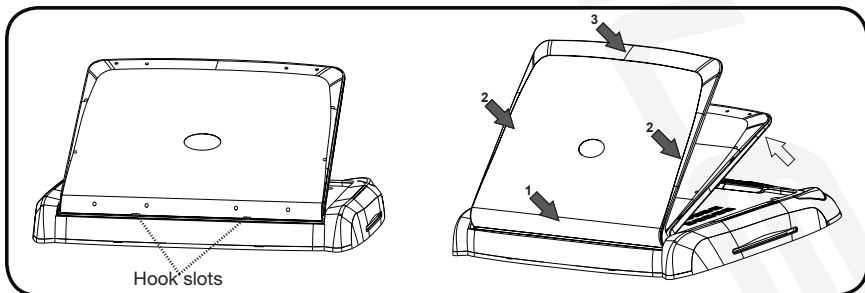
1. Remove the unit from vehicle roof and place on a flat surface. Remove the screen cover using the included removal tool. Open the screen to approximately a 45 degree angle. Insert the tool into the groove found along the top edge of the screen to remove the cover.



2. Carefully pull the cover away from the screen.



3. To attach the new cover to the screen, align the hooks on the cover to the corresponding slots on the outside bottom of the screen. Be sure to secure the contact points in the order shown.



Installation Guide

Install Instructions

- To prevent short circuits, remove key from the ignition and disconnect the RED (+12V) cable from battery terminal.
 1. Disconnect the original dome light.
 2. Detach metal mounting plate from Rockville unit.
 3. Attach the metal mounting plate to the roof (see fig.1) using self tapping screws (not provided). Make sure screws attach to interior roof liner.
 4. Connect ground wire harness in the following order:
Ground wire (black)
ACC wire (red)
 5. Attach the unit to the metal mounting plate using the screws removed in step 2.
- Connection may vary depending on vehicle make and model. Rockville recommends that the installation of this product be performed by an MECP-Certified professional installer.

Fig.1

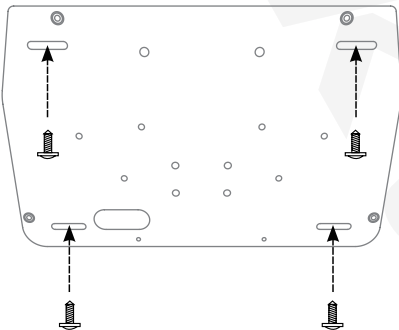
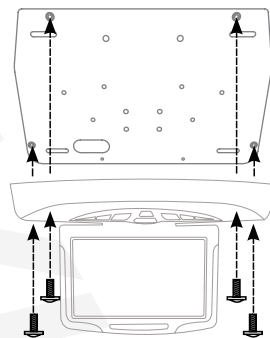


Fig.2

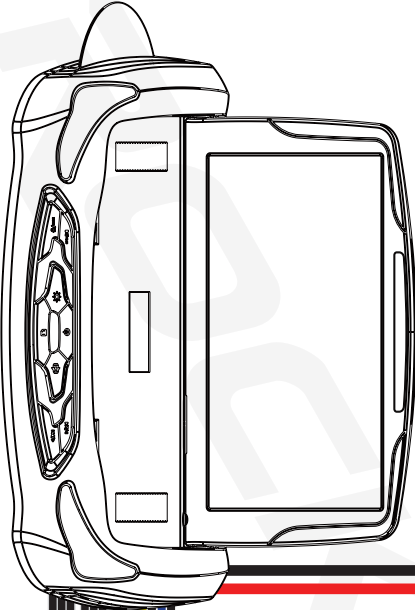


WARNING:

- Be careful not to screw and puncture the exterior roof.
- Use only the screws supplied.

Install Precautions

- This unit should be installed by a qualified technician or service personnel.
- This product is designed to operate with a 12V DC, grounded battery system.
- Use proper insulation and fastening materials to prevent electrical short-circuiting.
- Do not connect the red wire of this product directly to the battery terminal. Remember to connect the red wire of this product to the ACC of the ignition key switch. Failure to do so may result in draining of the battery charge prematurely.
- Do not install this product at a position that may cause injuries to the passenger(s) during an accident.
- Due to different car specifications, please ensure that the display monitor is suitably located.
- Do not install this product at a declining angle exceeding 30°.



AV In

- Left audio input
- Right audio input
- Video input

AV Out

- Left audio output
- Right audio output
- Video output

- Yellow = battery +
- Black = door trigger -
- Blue = door trigger +
- Black = FM antenna

Red = ACC +12V

Black = ground

Tip: **AV In** - Use these to connect an external media device such as a camera, game console, etc.

Tip: **AV Out** - Use these to project the display onto external screens such as the headrest monitor.

• Connect the red lead to 12 volt ACC wire.

- Connect the black ground lead to any bare metal surface on the car chassis or the dome light ground wire.

Troubleshooting

No display	Check for loose or disconnected cables. Check input mode settings on the on-screen menu. Check ground cable. Make sure the area it is attached to has no rust or corrosion and is clean. Make sure ground connection is very tight and secure.
No sound/distorted sound	Check for loose or disconnected cables. Try using different FCA cables. Check audio output menu settings.
No power	Check for loose or disconnected cables (power and ground). Check for blown fuses. Make sure to replace fuse with one of the same type.
Poor quality playback	Check the disc for scratches. Clean the disc if needed.
Disc Error is displayed on screen	Turn the unit off and then back on. Check that the disc has been inserted properly: label side up. Check that the disc is in the proper format. Check region settings (PAL/NTSC).
USB/SD files unreadable	Check USB thumb drive/SD card for damage. Check that media files are in the proper format. Media files may be corrupted.
Remote control does not work	Check for any obstructions between the remote and the remote sensor on the unit. Check the remote battery. Bring the remote closer to the unit. Make sure you've removed the plastic tab from the battery compartment.

רוכבי ארבע

Visit us at:

RockvilleAudio.com

Due to constant improvements, these specifications are subject to change without notice.

Copyright 2018