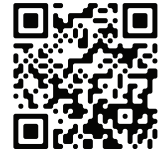


ROCKVILLE

RHSB4 Assembly Instructions

Thank you for purchasing these RHSB4 Wall Mount Swivel Brackets. Please read these instructions carefully before use. Make sure all parts are included. If any parts are missing please contact our technical help line at 1-646-758-0144, 24 hours a day/7 days a week.



Scan the QR code or go to rockvillesupport.com/rhsb4 to access how-to video(s), the owner's manual, and other important information you may need to get the most out of your item.

Specifications

- Swivels 90° Right or Left
- Tilts up to 60°
- Maximum Load Capacity: 33 lbs.
- Wall Distance: 4.6"

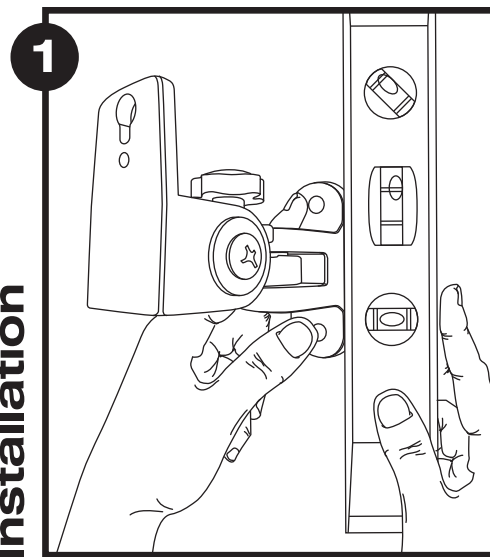
Tools needed

- Phillips-head screwdriver

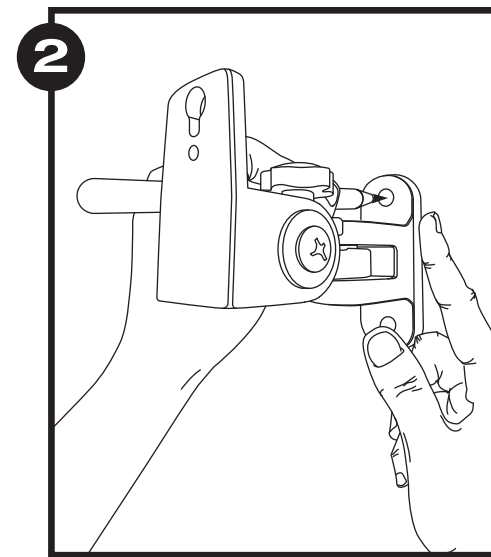
Parts

brackets		2 pcs.
M5 short screws		2 pcs.
M6 long screws		4 pcs.
bracket screws		2 pcs.
wall screws		4 pcs.
plastic anchors		4 pcs.
u-shaped bracket		2 pcs.
Allen wrench		1 pcs.

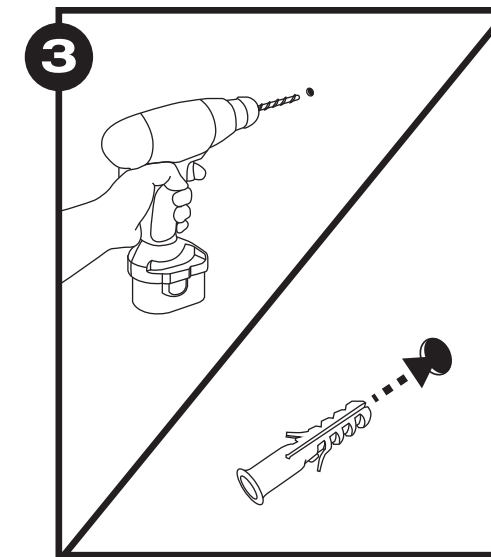
Installation



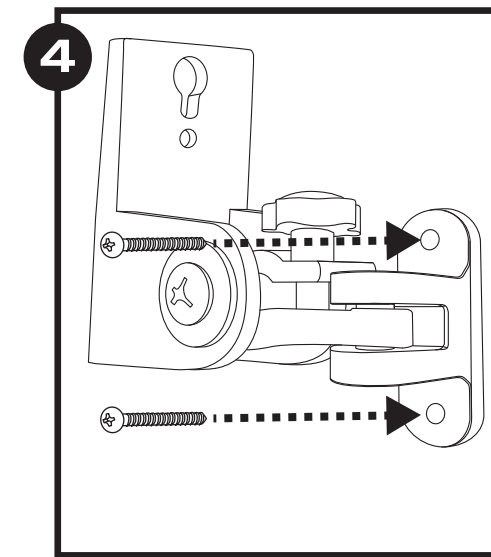
Press the bracket up against the wall so that it's flush. Make sure it's level using a torpedo or small level.



Place a mark at the top and bottom openings where your anchor holes will be. If you are drilling into a stud, the anchors are not necessary.

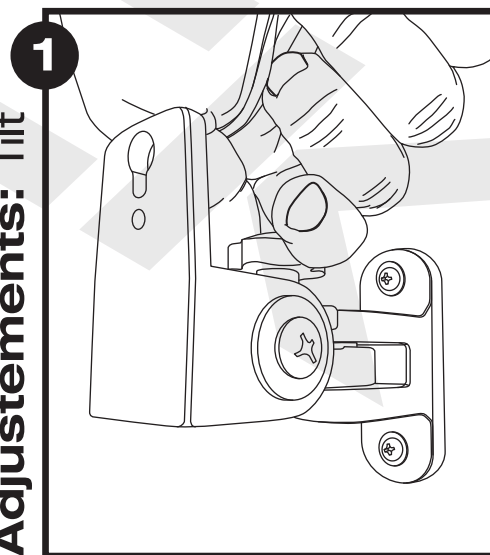


Using a drill, make holes where you made your marks. Ensure your holes properly align with the bracket. If you are using the anchors, ensure the holes are deep enough to accommodate them. Insert the anchors and tap in with a hammer if needed.

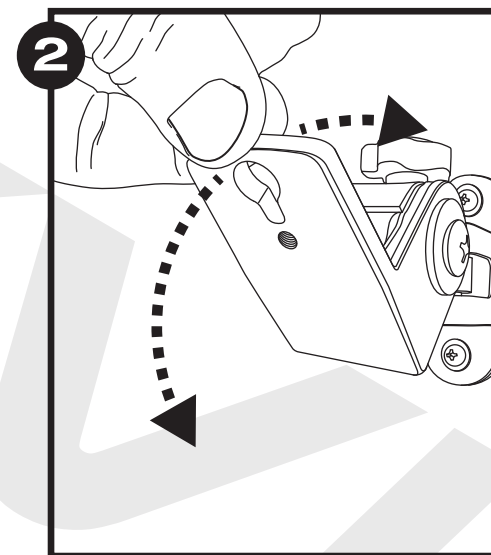


Swivel the face plate to the side (see swivel section below). Place the wall bracket into position over the anchors and insert a wall screw into the top hole. Do not fully tighten. Use a level to ensure that the bracket is properly aligned. Fully tighten the screw. Now, insert and tighten the second screw.

Adjustments: Tilt

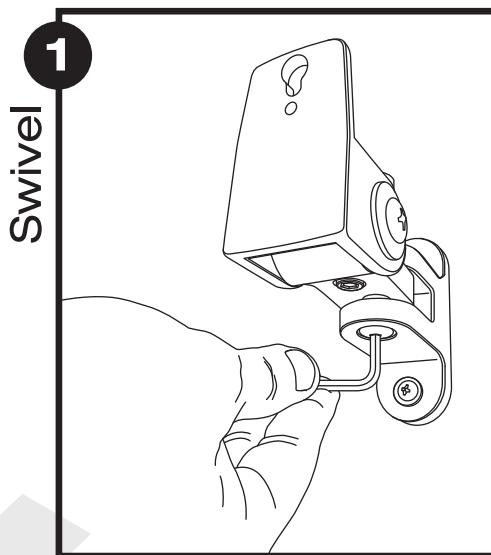


Turn the thumb screw to loosen the faceplate.

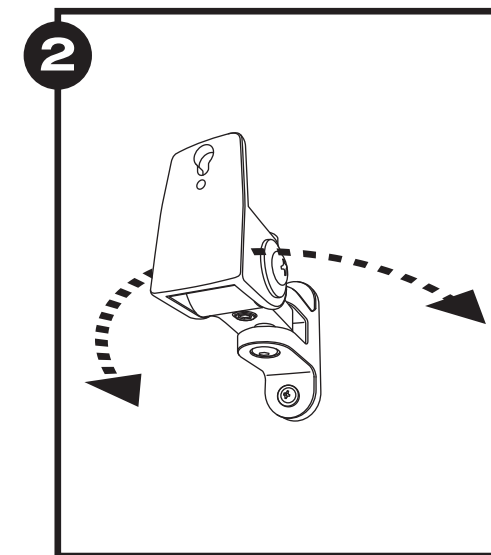


Tilt the faceplate up or down to the desired angle. Turn the thumb screw to lock the position.

Swivel

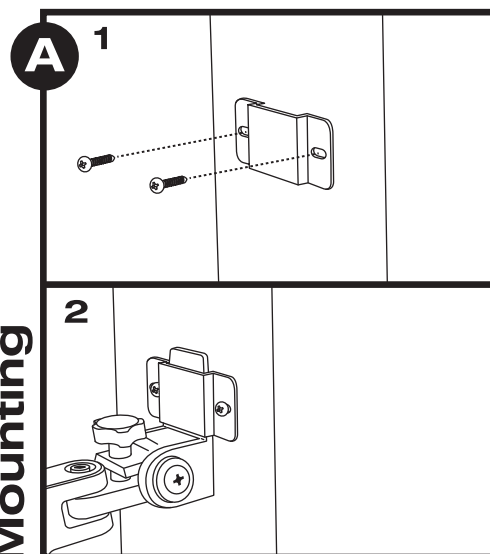


Loosen the hex bolt using an allen wrench.

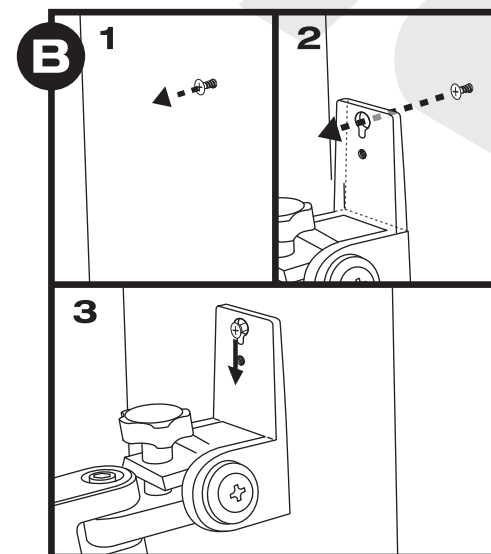


Swivel the face plate left or right to the desired position. Tighten the hex bolt to lock it in place.

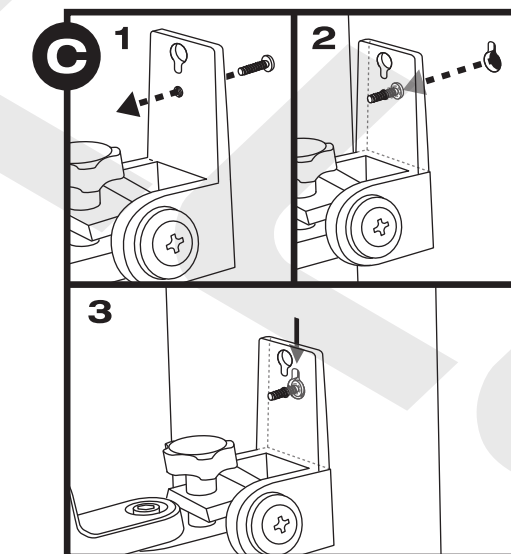
Mounting



If the speaker has no mounting holes or screws, use the included u-shape bracket and bracket screws. Attach the bracket to the back of the speaker (1) and then slide it onto the face of the bracket (2).



If your speakers have a mounting screw, partially unscrew it (1) and slide it through the bracket's mounting hole (2). Gently push down to ensure it has settled into the narrow part of the mounting hole (3). If the speakers have no mounting screws, use the M6 long screws.



For speakers with a mounting hole, partially screw the M5 short screw into the small hole on the face of the mounting bracket (1). Mount the speaker onto the screw (2). Gently push down to ensure it has settled into the narrow part of the speaker's mounting hole (3).