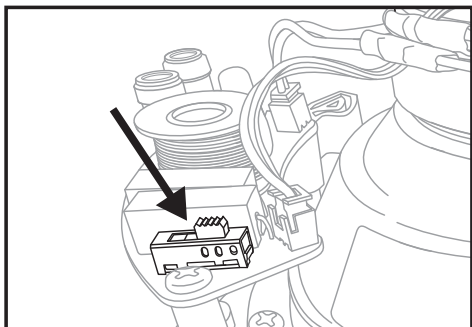


## Adjustable Attenuation Switch

The ELITE C series speakers feature an adjustable tweeter attenuation switch with 0, -3dB, and -6dB settings, ensuring perfect sound balance in any environment. A tweeter attenuation switch allows you to adjust the volume of the high frequencies produced by a tweeter by reducing the power sent to it, essentially letting you fine-tune how much "brightness" or high-end sound you want from your speakers, often used when the high frequencies seem too loud for your preference or listening environment



# ROCKVILLE

## ELITE C64/ELITE C68/ ELITE C616

6.5" 4, 8, and 16 Ohm Ceiling Speakers  
w/Adjustable Silk Dome Tweeter

### OWNER'S MANUAL

**ATTENTION:**  
**WATCH THESE VIDEOS BEFORE FIRST USE!**

Scan the **QR codes** or visit the **URLs** for access to how-to videos, the owner's manual, and other essential information to maximize your product experience.

**If you prefer written instructions, please read on!**  
*Rockville provides you with multiple options.*



[rockvillesupport.com/elite-c64](http://rockvillesupport.com/elite-c64)



[rockvillesupport.com/elite-c68](http://rockvillesupport.com/elite-c68)



[rockvillesupport.com/elite-c616](http://rockvillesupport.com/elite-c616)

**RockvilleAudio.com**

© 2025 ROCKVILLE // Features and specifications are subject to change and/or improvement without notice

**Missing items?** If you ordered a bundle with multiple products and are missing part of your order, it likely shipped from two different warehouses. You will receive the remaining items shortly. For any questions or concerns, please contact our customer support center at 1-646-758-0144, available 24/7.

Experience superior audio quality and seamless integration with the Rockville ELITE C64 in-ceiling speakers. Designed for home audio and theater systems, these speakers deliver powerful, immersive sound with exceptional clarity. Please read this guide thoroughly for proper use of your ELITE C series in-ceiling home theater speakers. For technical assistance, contact our help line at 1-646-758-0144, available 24 hours a day, 7 days a week.

### IMPORTANT SAFETY INSTRUCTIONS



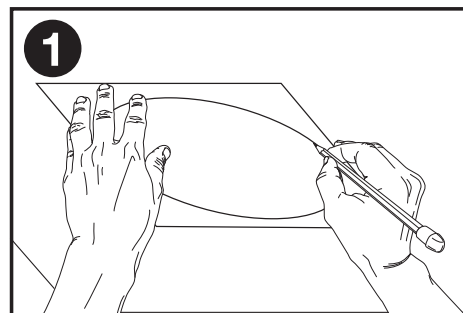
- Please read these instructions carefully before installation and use. Be sure to keep it for future reference.
- Prior to installing the speakers into any ceiling, check the structure for weight bearing ability and avoid contact with any wiring or plumbing that might be behind the surface area. Installation in areas incapable of supporting the speaker's weight may cause personal injury or damage to the speaker.
- Make sure the speaker is properly secured to the ceiling. Make sure to use the proper screws, bolts, or anchors (if applicable). Failure to do so may cause the speaker to become unsecured and cause potential damage/injuries.
- Damage to the woofer and tweeter may occur if the speaker is dropped or hit resulting in distorted or no sound.
- Never overdrive your speakers to the point of distortion and always reduce volume prior to switching input sources.
- Use only approved and certified wiring in your installation. DO not stretch the wire or place it in contact with sharp objects.
- Prior to removing cables ensure that all power to your amp and other components is turned off.

### Features/Specifications

- Power Handling  
Peak: 300W per speaker/600W per pair  
RMS: 90W per speaker/180W per pair
- 6.5" Woofer
- Polypropylene Cone
- Rubber Surround
- 1" Aluminum Voice Coil
- 10 oz. Ferrite Magnet
- 1" Silk Dome Aimable Swivel Tweeter
- Adjustable Tweeter Attenuation: 0, -3dB, and -6dB
- High-grade 12dB/octave crossover ensures the tweeter receives frequencies above 5.5 kHz
- 14 Gauge Gold-Plated Push Terminals
- Magnetic Water and Moisture Resistant Paintable Flush Mount Grills
- IP42 Rated for Indoor and Outdoor use
- Frequency Response  
-6dB: 60Hz – 20kHz  
-3dB: 70Hz – 20kHz
- Sensitivity: 87dB @ 1w/1m
- Available in 4, 8, and 16 Ohm
- Mounting Depth: 3.4"
- Cut-out Diameter: 8.3"
- Color: White (paintable)

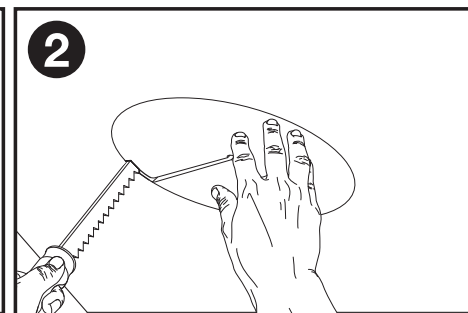
### Installation

**Tools needed:** A dry wall knife, phillips head screwdriver, wire strippers/cutters, pencil, stud finder, and a ladder.

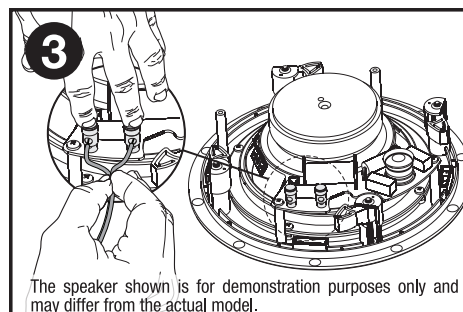


Using the included template, trace the mounting circle onto the surface.

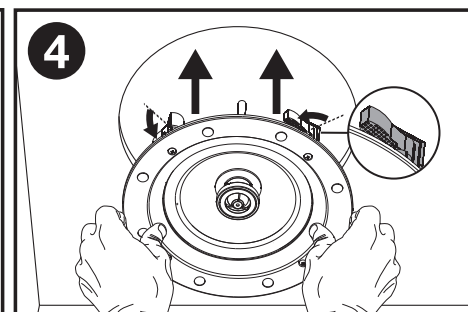
**Note:** Always allow at least 1/2" between a wall stud and the speaker cutout or the locking tabs will not be able to swivel into place.



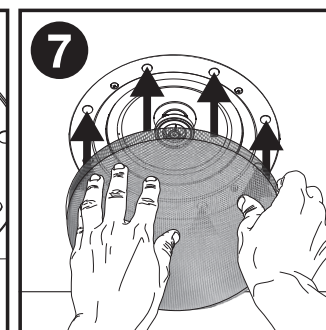
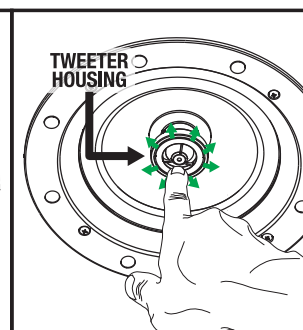
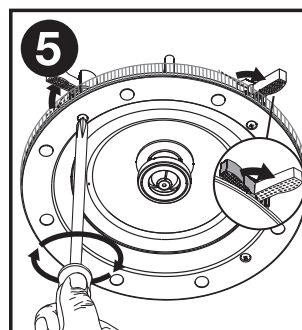
Make a pilot hole, then use a wall saw to cut out the opening.



Connect the speaker wires (be sure to observe proper polarity). Prior to mounting the speaker, make sure to adjust the tweeter attenuation using the tweeter attenuation switch (see back cover for more details).



Tuck the speaker wires into the opening and insert the speaker into the cutout. Ensure that all four locking tabs are facing inward.



Use a Phillips head screwdriver to turn each screw clockwise. This will cause the locking tabs to swivel into position. Continue turning each screw clockwise until you feel resistance, securing the unit to the back surface. Adjust the angle of the tweeter to ensure it's pointing towards the listening position. Do this by gently pressing the outer edges of the tweeter housing as shown above. DO NOT PUSH ON THE ACTUAL TWEETER. Doing so will cause permanent damage.

Place the grill over the speaker and listen for the sound of the magnets connecting to it indicating that it is securely attached. Once mounted, tweeter attenuation can be adjusted by taking the speaker out or physically adjusting the tweeter.